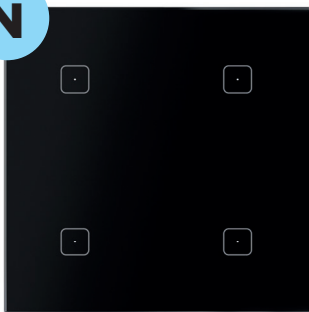


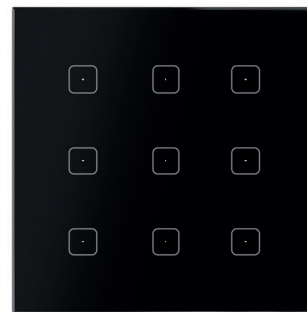
N



EAN code
GSB3-40/B_V2: 8595188132909
Order Code: 3290



EAN code
GSB3-60/B_V2: 8595188132916
Order Code: 3291



EAN code
GSB3-90/B_V2: 8595188188272
Order Code: 8827

Technical parameters

GSB3-XX, GSB3-2XX

Inputs

Temperature measuring:	YES, built-in temperature sensor
Scope and accuracy of temp. measurement:	0 to +55 °C; 0.3 °C from the range
Humidity measurement:	YES
Humidity measurement range:	0 to 99 % RH
Inputs:	AIN/DIN
Resolution:	by setting 10-bit
External temperature sensor:	YES, the connection between AIN1/DIN1 and AIN2/DIN2
Type of external sensor:	TC/TZ
Temperature measurement range:	-20 °C to +120 °C
Temperature measurement accuracy:	0.5 °C from the range

Buttons

Number of control buttons:	4	6	9
Type:	capacitive		
Indication:	blue highlighted point		

Outputs

Acoustic output:	piezo-changer
------------------	---------------

Communication

Installation BUS:	BUS
-------------------	-----

Power supply

Supply voltage/tolerance:	27 V DC, -20/+10 %		
Dissipated power:	max. 0.5 W		
Rated current:	20-38 mA	20-45 mA	20-50 mA
	(at 27 V DC), from BUS		

Connection

Terminals:	EIB \varnothing 0.6 - 0.8 mm ²
------------	---

Operating conditions

Relative humidity:	max. 80 %
Operating temperature:	-20 to +55 °C
Storing temperature:	-30 to +70 °C
Protection degree:	IP20
Overvoltage category:	II.
Pollution degree:	2
Operation position:	any
Installation:	on the wall, observing the conditions for correct installation of the sensor

Dimensions and weight

Dimensions:	94 x 94 x 41 mm 100 x 100 x 8 mm
Weight:	154 g
Standards:	EN 63044-1

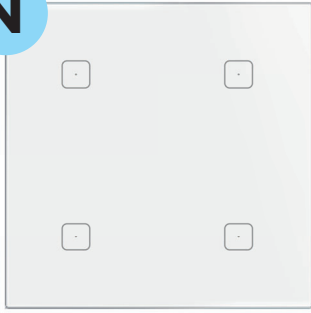
- Glass touch controllers GSB3-XXX are part of a comprehensive range of glass iNELS control units and can be advantageously used in all projects for example as a part of guest room management system (GRMS).
- The GSB3-40, GSB3-60, and GSB3-90 models feature a square design, while the GSB3-240, GSB3-260, and GSB3-290 models come in a round design.
- GSB3-40, GSB3-240 is equipped with four, GSB3-60, GSB3-260 six and GSB3-90, GSB3-290 nine touch buttons whose functions can easily modify by the software.
- The glass touch controllers is equipped with an integrated temperature sensor. It is also equipped with analog-to-digital input (AIN/DIN), which can be used to connect potential-free contact or external temperature sensor TC/TZ (for example temperature measurement of the floor).
- Advantages over conventional switches/buttons are saving space, signaling the state of any system output, the ability to measure temperature as well as the ability to connect external buttons or detectors.
- Each button can control any actuator (appliance) in the system. Also, you can assign each button a different function or macro (set of functions). It is therefore possible to use one button to control several appliances at once.
- Glass touch panel is a design component of the iNELS system and is available in elegant black (GSB3-XXX/B) and white (GSB3-XXX/W) versions.
- The individual capacitive buttons are point-illuminated by a blue LED indicating the status of the controlled output.
- All versions are in the size of the standard module (94x94 mm) and designed for mounting into an installation box.

Another view



GSB3-60B

N



EAN code
GSB3-40/W_V2: 8595188132954
Order Code: 3295

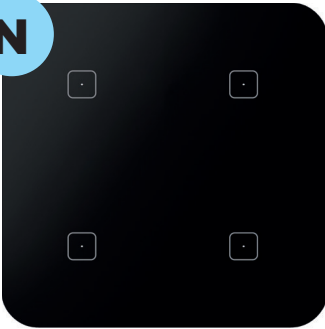


EAN code
GSB3-60/W_V2: 8595188132985
Order Code: 3298

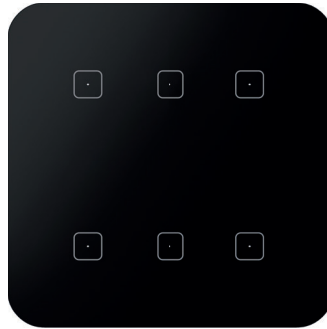


EAN code
GSB3-90/W_V2: 8595188188289
Order Code: 8828

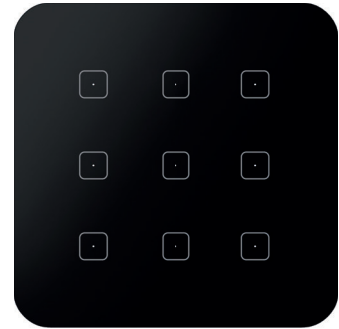
N



EAN code
GSB3-240/B: 8595188189569
Order Code: 8956

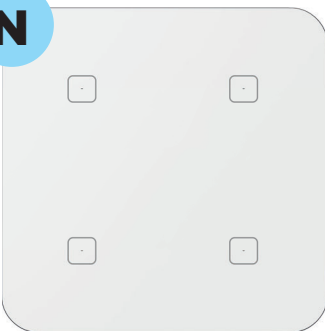


EAN code
GSB3-260/B: 8595188189583
Order Code: 8958

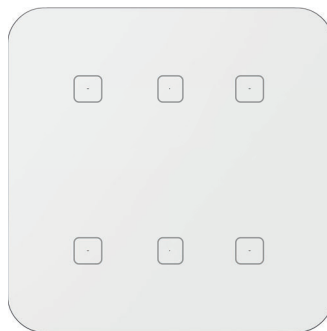


EAN code
GSB3-290/B: 8595188189606
Order Code: 8960

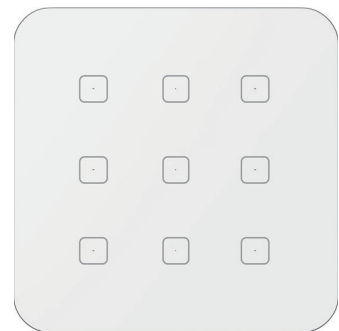
N



EAN code
GSB3-240/W: 8595188189576
Order Code: 8957

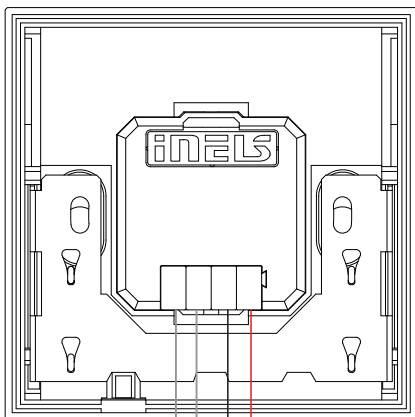


EAN code
GSB3-260/W: 8595188189590
Order Code: 8959

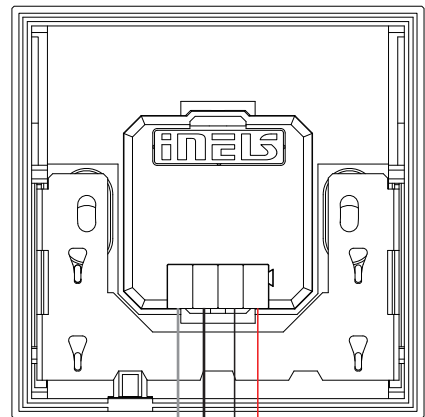


EAN code
GSB3-290/W: 8595188189613
Order Code: 8961

Connection



1x input for free potential contacts
(button, motion sensor, etc.)



temperature sensor TC/TZ

