



## Characteristics

- Binary input units IM3-20B, IM3-40B and IM3-80B are used for connection of 2, 4 or 8 devices with potential-less contacts (switches, buttons, switches of other design, PIR detectors, fire and gas detectors, etc.).
- Part of the inputs can be used as a balanced for alarm detectors:
  - IM3-20B - inputs IN1, IN2
  - IM3-40B - inputs IN1, IN2
  - IM3-80B - inputs IN1 - IN5.
- Contacts of external devices connected to the inputs of the unit can be NO or NC - Input parameters are configured in the software iDM3.
- Within the internal EZS configured in the iDM3 software, inputs must be set to balance or double balance.
- The units generate a supply voltage of 12 V DC / 75 mA for powering external intrusion detectors, so they can power PIR detectors, fire and gas detectors.
- Active use 12 V DC output for powering detectors increases the nominal consumption of units from BUS (see technical data).
- The units can be used for counting pulses of energy meters with pulse output.
- The units are equipped with a temperature input for connecting an external two-wire temperature sensor TC/TZ (see accessories).
- IM3-20B, IM3-40B, IM3-80B in case type B are designed for mounting into a installation box.

## General instructions

### CONNECTION TO THE SYSTEM, INSTALLATION BUS

iNELS3 peripheral units are connected to the system through the BUS installation. Installation BUS conductors are connected to the terminal units to BUS+ and BUS- terminals, wires cannot be interchanged. For installation of BUS it is necessary to use a cable with a twisted pair of wires with a diameter of at least 0.8 mm, the recommended cable is iNELS BUS Cable, whose features best meet the requirements of the BUS installation. Bearing in mind that in terms of all the properties it is possible in most cases also use the cable JYSTY 1x2x0.8 or JYSTY 2x2x0.8, however it is not recommended as the best option. In the case of a cable with two pairs of twisted wires it is not possible to use the second pair of the other for modulated signal due to the speed of communications; it is not possible within one cable to use one pair for one segment BUS and the second pair for the second segment BUS. For installation of BUS it is vital to ensure that it is kept at a distance from the power lines of at least 30 cm and must be installed in accordance with its mechanical properties. To increase mechanical resistance of cables we recommend installation into a conduit of suitable diameter. BUS topology installation is free except for the ring, wherein each end of the bus must terminate at the terminals BUS + and BUS- peripheral unit. While maintaining all the above requirements, the maximum length of one segment of the installation BUS can reach up to 500 m. Due to the data communication and supply of units in one pair of wires, it is necessary to keep in mind the diameter of wires with regards to voltage loss on the lead and the maximum current drawn. The maximum length of the BUS applies provided that they comply with the tolerance of the supply voltage.

### CAPACITY AND CENTRAL UNIT

It is possible to connect to the central unit CU3-01M or CU3-02M two independent BUSes by means of terminals BUS1+, BUS1- and BUS2+, BUS2-. It is possible to connect to each BUS up to 32 units, so it is possible to connect directly to the central unit a total of 64 units. It is necessary to comply with the requirement of a maximum load of one BUS line - maximum up to 1000 mA current. When connecting units which draw greater than 1A, BPS3-01M with 3A sampling can be used. It is the sum of the rated currents of the units connected to the BUS line, other units can be connected using the units MI3-02M, which generate further BUSes. These are connected to the CU3 unit via the system BUS EBM and you can connect a total of 8 units via EBM BUS to the central unit MI3-02M.

### SUPPLYING THE SYSTEM

For supplying power to system units, it is recommended to use the power source of ELKO EP titled PS3-100/iNELS. We recommend backing up the system with backup batteries connected to the source of PS3-100/iNELS (see sample diagram of connecting the control system).

### GENERAL INFORMATION

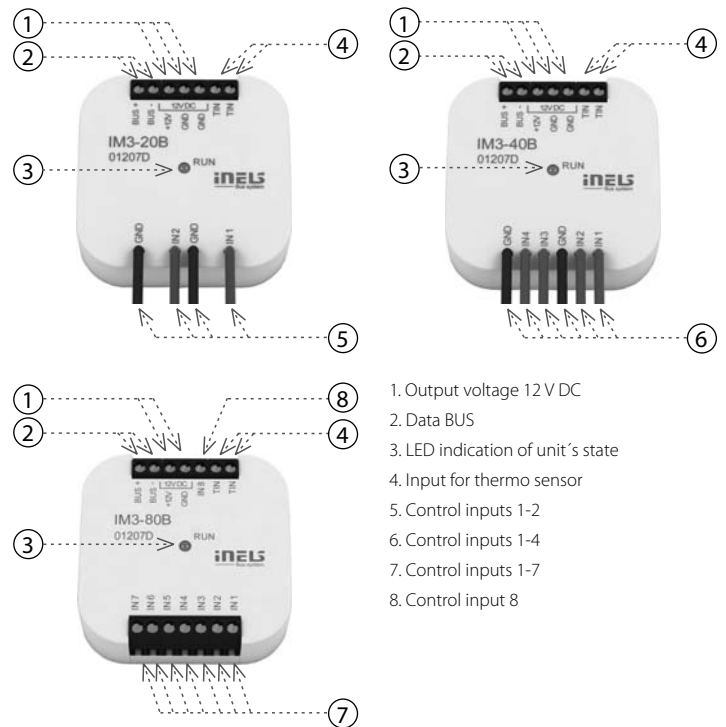
To operate the unit, it is necessary that the unit is connected to a central unit CU3 series, connected to the central unit of the system CU3, or to a system that already contains this unit as its expansion to include further system.

All unit parameters are set through the central unit CU3-01M in the software iDM3.

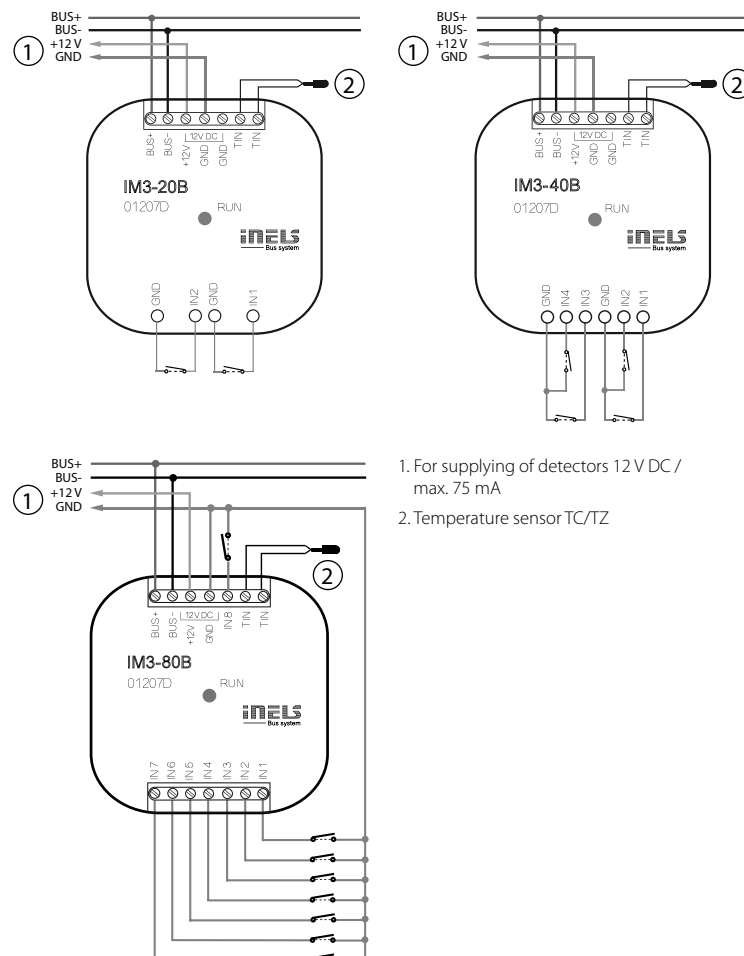
There is LED diode on the PCB for indication of supply voltage and communication with the central unit series CU3. In case that the RUN diode flashes at regular intervals, so there is standard communication between the unit and BUS. If the RUN diode lights permanently, so the unit is supplied from BUS, but there is no communication between BUS and unit. In case that RUN diode is OFF, so there is no supply voltage on the terminals BUS+ and BUS-.

Note: Digital output and input of thermo sensor is galvanically connected to BUS.

## Description of device



## Connection



1. For supplying of detectors 12 V DC / max. 75 mA
2. Temperature sensor TC/TZ

## Technical parameters

IM3-20B IM3-40B IM3-80B

| Inputs                               | IM3-20B                                     | IM3-40B          | IM3-80B          |
|--------------------------------------|---|------------------|------------------|
| Input:                               | 2x* / IN1, IN2**                            | 4x* / IN1, IN2** | 8x* / IN1- IN5** |
| Max. frequency pulse reading:        | 20 Hz                                       |                  |                  |
| Temperature measuring:               | YES, input for external thermo sensor TC/TZ |                  |                  |
| Range / accuracy of thermomeasuring: | -20 .. +120 °C / 0.5 °C from the range      |                  |                  |

| Outputs                   |   |
|---------------------------|---|
| Output voltage / current: | 12 V DC / 75 mA,<br>for supplying EZS sensors |

| Communication           |               |
|-------------------------|---------------|
| Installation BUS:       | BUS           |
| Status indication unit: | green LED RUN |

| Power supply   |                             |
|--|-----------------------------|
| Supply voltage / tolerance:                            | 27 V DC, -20 / +10 %        |
| Dissipated power:                                      | max. 1 W                    |
| Rated current:   | 20 mA (at 27V DC), from BUS |
| Rated current of unit for full load on output 12 V DC: | 60 mA 100 mA                |

| Connection |  |
|------------|--|
| Terminal:  | 0.5 - 1 mm <sup>2</sup>  |
| Inputs:    | 4x conductors CY   6x conductors CY   x<br>profile 0.75 mm <sup>2</sup> , length 90 mm |

| Operating conditions   |                       |
|------------------------|-----------------------|
| Operating temperature: | -20 .. +55 °C         |
| Storing temperature:   | -30 .. +70 °C         |
| Protection degree:     | IP30                  |
| Overvoltage category:  | II.                   |
| Pollution degree:      | 2                     |
| Operating position:    | any                   |
| Installation:          | into installation box |

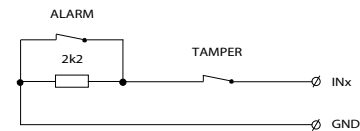
| Dimensions and weight |                 |
|-----------------------|-----------------|
| Dimensions:           | 49 x 49 x 13 mm |
| Weight:               | 30 g 32 g 27 g  |

\* NO or NC against GND(-)

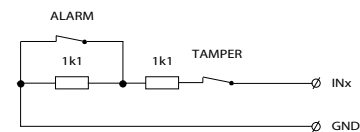
\*\* are balanced inputs

## Balanced input

Simple



Double



## Warning

Before the device is installed and operated, read this instruction manual carefully and with full understanding, and Installation Guide System iNELS3. The instruction manual is designated for mounting the device and for the user of such device. It has to be attached to electro-installation documentation. The instruction manual can be also found on a web site [www.inels.com](http://www.inels.com). Attention, danger of injury by electrical current! Mounting and connection can be done only by a professional with an adequate electrical qualification, and all has to be done while observing valid regulations. Do not touch parts of the device that are energized. Danger of life-threat! While mounting, servicing, executing any changes, and repairing it is essential to observe safety regulations, norms, directives and special regulations for working with electrical equipment. Before you start working with the device, it is essential to have all wires, connected parts, and terminals de-energized. This instruction manual contains only general directions which need to be applied in a particular installation. Input unit IM-80B can be mounted in a standard way into a flush-mounted wiring box. Minimal depth of the box is 40 mm. In the course of inspections and maintenance, always check (while de-energized) if terminals are tightened.