



EAN code
 ZNP-10-24V: 8594030334089
 ZSR-30: 8594030331750

Technical parameters	ZSR-30	ZNP-10-24V
Entry (U prim)		
Voltage range:	AC 230 V (50-60 Hz)	
Consumption without load (max):	9 VA / 2.5 W	9 VA / 2 W
Consumption with load (max):	11.5 VA / 8 W	
Supply voltage tolerance:	-15 %; +10 %	
Output (Usec)		
Output voltage:	DC 5-24 V stab. DC 24 V nonstab. AC 24 V	DC 24 V nonstab. AC 24 V
Output voltage-no load AC:	32 V	
Output voltage-no load DC:	44 V	
Fuse:	primary wind T100 mA	
Wave of output voltage:	300 mV	max. 3 V
Efficiency:	75 %	x
Tolerance of output voltage:	±5 %	x
Electronic fuse:	Towards black-out and and current overloading	x
Other information		
Operating temperature:	-20 to +40 °C	
Storing temperature:	-20 to +60 °C	
Electrical strenght (prim/sec):	4 kV	
Protection degree:	IP40 from front panel / IP20 terminals	
Max. cable size (mm ²):	solid wire max. 1x 2.5 or 2x 1.5 / with sleeve max. 1x 1.5 (AWG 12)	
Dimensions:	90 x 52 x 65 mm (3.5" x 2" x 2.6")	
Weight:	398 g (14 oz.)	368 g (13 oz.)
Standards:	EN 61204-1, EN 61204-3, EN 61204-7	

WARNING!

Values of max. load are valid for (operational) temperature.
 Total loads on all output terminals may not exceed this values:
 - by supplying 230 V-253 V - 8W
 - from 230 V to 207 V output power is proportionately decreasing onto 5 W

Regulated stabilized power supply ZSR-30

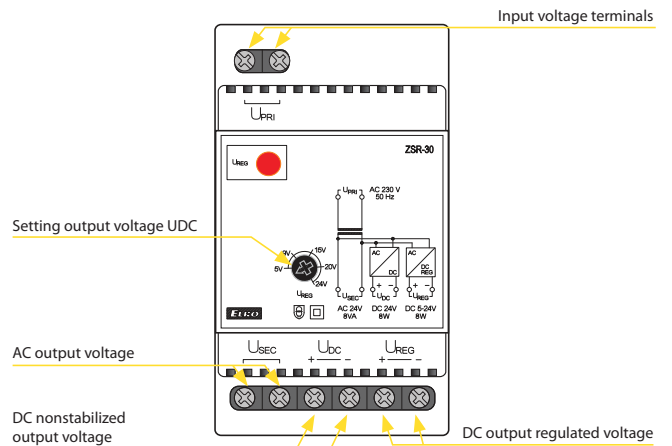
- Supply of various devices and appliances by safe voltage with fully galvanic separation from the main.
- Output voltage: DC 5-24 V stab., DC 24 V unstab. and AC 24 V.
- Exceeded current limit values is indicated by LED flashing.
- When there is full short-circuit, output is disconnected, output current is limited by an electronic fuse.

Nonstabilized power supply ZNP-10-24V

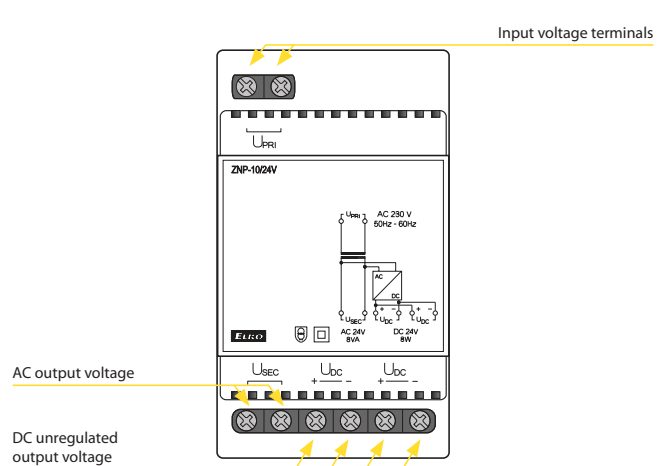
- AC and DC output voltage 24 V, nonstabilized.
- Power supply with fixed output voltage.
- Protection against short-circuit and overload by a safety fuse.

Description

ZSR-30

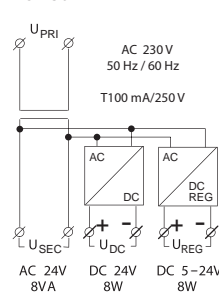


ZNP-10-24V



Connection

ZSR-30



ZNP-10

